

ZASS

PANEL RADIATORS



Create your own climate



www.zass.com

Create your own climate



ZASS SUPERIORITY

Wide range of products

The wide product range incorporates 6 different height choices (300, 400, 500, 600, 750, 900 mm), 22 different length choices from 40 cm up to 300 cm (which increases by 100 mm up to 200 cm and from 200 cm on increases by 200 mm); and 6 different models (P, PK, PP, PKP, PKKP, DKEK) which meet various demands.

Cathophoratic paint technology

Zinc Phosphate and Electrodeposition Coating Technology applied ZASS radiators are corrosion and impact proof which makes them stronger than their counterparts.

Smoother surface

ZASS radiators have a smoother surface thanks to epoxy polyester sprayed on ED cathophoratic paint coating.

Higher heat output

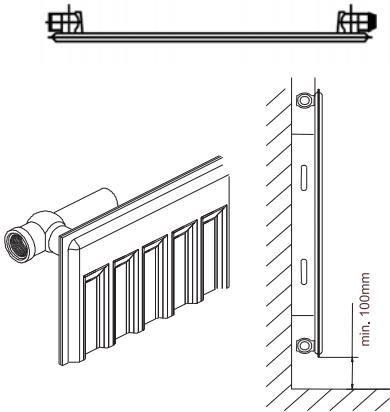
ZASS panel radiators possess an ideal thermal output value with its optimized pitch distance and convector size.

Long lasting & safe

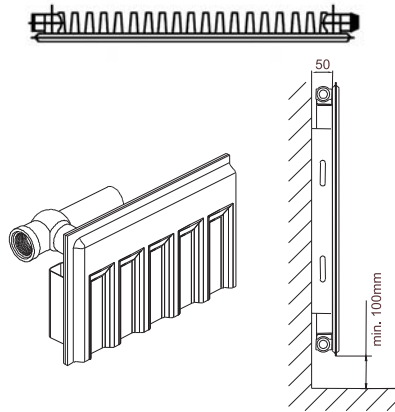
ZASS panel radiators are long lasting and safe with their maximum operating pressure of 10 bar and test pressure of 13 bar.

WALL ASSEMBLY AND TECHNICAL SPECIFICATIONS

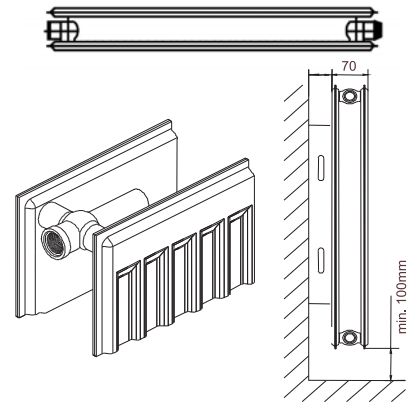
10P



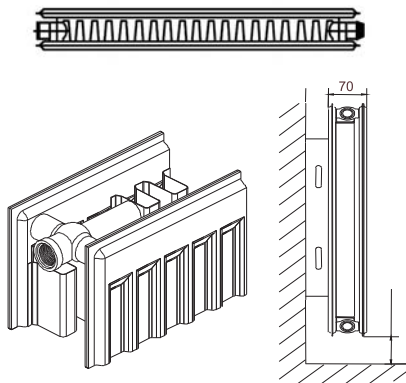
11PK



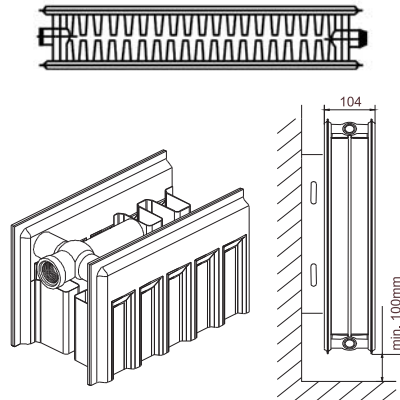
20PP



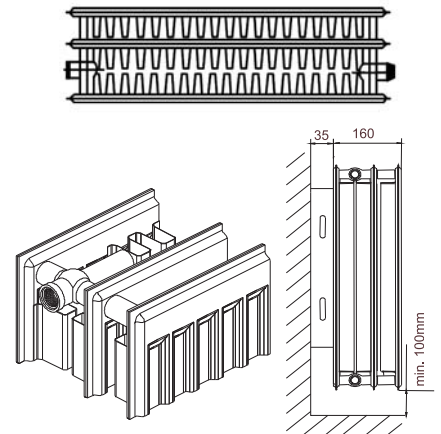
21PKP



22PKKP

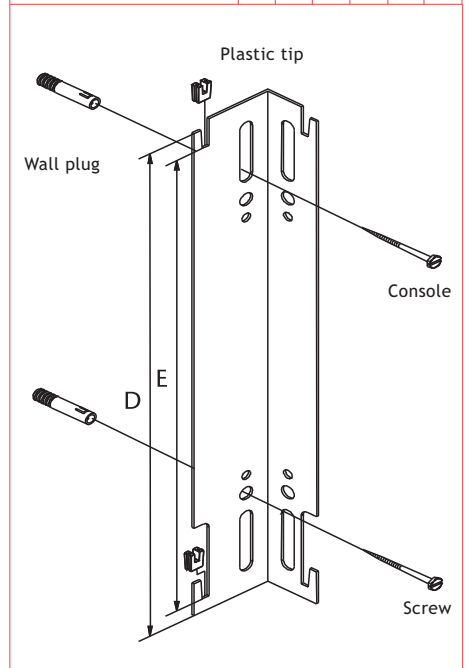


33DKEK



Console Dimensions

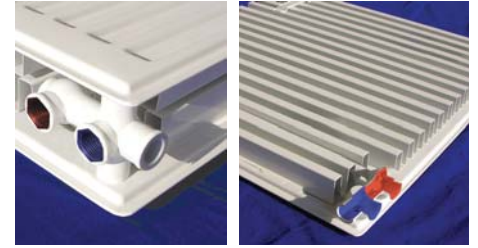
Radiator height H (mm)	300	400	500	600	750	900
Console D (mm)	110	210	310	410	560	710
Hanger nail distance E (mm)	85	185	285	385	535	685



Type	Height (mm)	Distance between connection (mm)	Width (mm)	Length min-max (mm)	Weight (kg/m)	Water capacity (l/m)
10 P	300	249	49	400-3000	5,9	1,7
	400	349	49	400-3000	7,9	2,3
	500	449	49	400-3000	9,9	2,7
	600	549	49	400-3000	11,8	3,1
	750	699	49	400-3000	14,8	3,8
11 PK (With grill)	300	249	49	400-3000	8,2	1,7
	400	349	49	400-3000	10,8	2,3
	500	449	49	400-3000	13,6	2,7
	600	549	49	400-3000	16,5	3,1
	750	699	49	400-3000	20,7	3,8
21 PKP	300	249	70	400-3000	13,8	3,4
	400	349	70	400-3000	18,8	4,4
	500	449	70	400-3000	23,5	5,3
	600	549	70	400-3000	28,3	6,2
	750	699	70	400-3000	35,4	7,6
22 PKKP	300	249	104	400-3000	16,1	3,4
	400	349	104	400-3000	22,0	4,4
	500	449	104	400-3000	27,6	5,3
	600	549	104	400-3000	33,2	6,2
	750	699	104	400-3000	41,6	7,6
33 DKEK	300	249	160	400-3000	24,1	5,1
	400	349	160	400-3000	32,9	6,7
	500	449	160	400-3000	41,2	8,1
	600	549	160	400-3000	49,5	9,5
	750	699	160	400-3000	62,0	11,6
	900	949	160	400-3000	74,0	13,3

Test Pressure Bar: 13 Maximum Operating Pressure Maximum Operating Temperature °C: 120 (Static Pressure + Pump Pressure Bar: 10)

COMPACT VENTIL PANEL RADIATOR



Higher heat output, thermostatic control and esthetical look are the advantages of ventil compact panel radiators that are convenient for the floor and classical installation connections. The inner valve connection system allows you to connect the installation pipes from bottom and from side. The connection of the radiator can be made from right or left in accordance with the installation connection conditions.

Compact ventil radiators can provide a thermostatic control to all radiator models with the use of a thermostatic regulator. The ventil placed inside the radiator occupies less space and creates esthetical outlook.

HEAT OUTPUT VALUES (75/65 °C)

		10°C		12°C		15°C		18°C		20°C		22°C		24°C		26°C	
		W	kcal/h	W	kcal/h	W	kcal/h	W	kcal/h	W	kcal/h	W	kcal/h	W	kcal/h	W	kcal/h
10 P	300	490	421	467	402	436	375	405	348	384	330	364	313	344	296	325	279
	400	582	501	557	479	519	446	482	414	458	394	434	373	410	353	387	332
	500	711	611	680	585	633	545	588	506	558	480	529	455	499	430	471	405
	600	834	717	797	685	742	638	689	592	653	562	619	532	584	502	550	473
	750	1012	870	967	832	900	774	834	717	791	680	748	644	706	608	665	572
11 PK (With grill)	300	1172	1007	1120	964	1045	899	970	835	922	793	873	751	826	710	779	670
	400	671	577	640	551	598	514	556	478	528	454	501	431	474	408	447	385
	500	808	695	773	665	722	621	671	577	638	549	605	520	572	492	550	465
	600	999	860	956	822	892	767	829	713	787	677	746	641	705	607	665	572
	750	1189	1023	1137	978	1060	911	984	846	934	803	885	761	836	719	788	678
21 PKP	300	1467	1262	1402	1206	1305	1122	1210	1041	1148	987	1087	935	1026	883	967	831
	400	977	840	932	801	869	747	807	694	766	659	726	625	687	591	648	557
	500	1158	996	1108	953	1033	888	959	825	911	784	864	743	816	702	770	662
	600	1414	1216	1353	1163	1261	1085	1171	1007	1112	956	1054	906	996	857	939	808
	750	1654	1422	1582	1360	1474	1268	1369	1177	1299	1118	1231	1059	1163	1001	1097	943
22 PKKP	300	1987	1709	1900	1634	1770	1522	1643	1413	1559	1341	1477	1270	1395	1200	1315	1131
	400	2299	1977	2195	1888	2042	1756	1892	1627	1973	1542	1696	1459	1600	1376	1506	1295
	500	1360	1170	1297	1115	1209	1040	1123	966	1067	917	1011	869	956	822	901	775
	600	1596	1373	1527	1313	1424	1224	1323	1137	1256	1080	1190	1024	1125	968	1061	913
	750	1890	1625	1807	1554	1685	1449	1565	1346	1486	1278	1408	1211	1331	1144	1255	1079
33 DKEK	300	2179	1874	2084	1792	1942	1670	1803	1550	1712	1472	1621	1394	1532	1318	1444	1242
	400	2611	2246	2496	2146	2325	2000	2158	1856	2048	1761	1939	1668	1832	1576	1727	1485
	500	3054	2626	2917	2509	2715	2335	2517	2165	2387	2053	2259	1943	2133	1834	2008	1727
	600	1756	1510	1673	1439	1557	1339	1444	1242	1370	1178	1296	1115	1224	1053	1153	991
	750	2094	1801	2000	1720	1862	1602	1727	1485	1638	1409	1550	1333	1464	1259	1378	1185
33 DKEK	500	2557	2199	2441	2100	2271	1953	2104	1810	1995	1716	1887	1623	1781	1531	1676	1441
	600	3008	2587	2872	2470	2670	2296	2472	2125	2342	2014	2214	1904	2088	1796	1964	1689
	750	3672	3158	3503	3013	3253	2798	3008	2587	2842	2449	2690	2313	2535	2180	2382	2048
	900	4277	3679	4085	3513	3800	3268	3521	3028	3338	2870	3157	2715	2979	2562	2804	2411

*Airfel, reserves the right to amend the specifications in the technical tables without prior notice for product improvement.

Values for 1 m radiators.



THERMOSTATIC RADIATOR VALVES

ZASS thermostatic radiator valve senses the changes in the room temperature and allows the required amount of water to pass through the radiator with its sensitive thermostat, in order to keep the room temperature stable. With ZASS thermostatic radiator valves it is possible to warm the environment economically.

ZASS